

TOSHIBA BIPOLAR LINEAR INTEGRATED CIRCUIT SILICON MONOLITHIC

TA8201AK

BTL AUDIO POWER AMPLIFIER

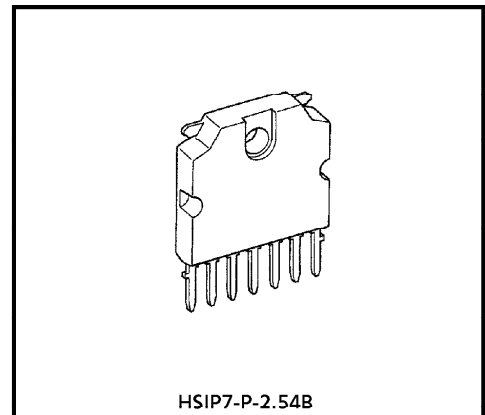
The TA8201AK is audio power amplifier for consumer application.

This IC is applying BTL system in which output coupling condenser and bootstrap condenser are not necessary and output 17W ($V_{CC} = 14.4V$, $B_L = 4\Omega$, THD = 10%) can be obtained.

Since the package is a 7 pin SIP, (Single Inline Package), it greatly simplifies construction of a power amplifier both in design and assembly.

It also contains various kind of protector.

It is suitable for car-audio power amplifier with high performance.



HSIP7-P-2.54B

Weight : 2.19g (Typ.)

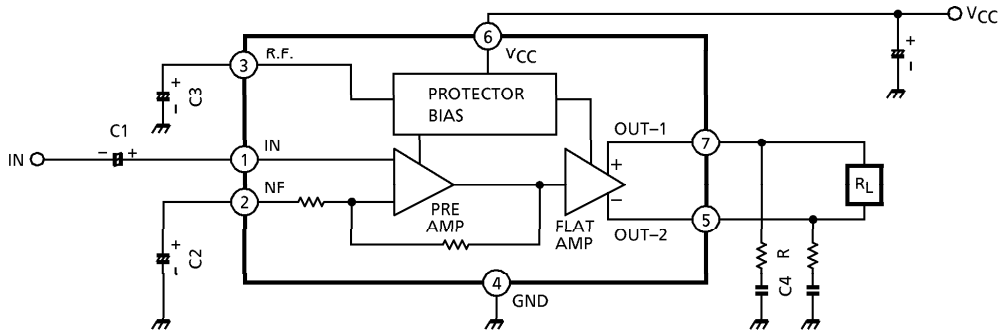
FEATURES

- High Power : $P_{OUT(1)} = 17W$ (Typ.)
($V_{CC} = 14.4V$, $f = 1kHz$, THD = 10%, $R_L = 4\Omega$)
: $P_{OUT(2)} = 14W$ (Typ.)
($V_{CC} = 13.2V$, $f = 1kHz$, THD = 10%, $R_L = 4\Omega$)
- Very Few External Parts
- Built in Protector Circuit
Thermal Shut Down, Over Voltage Protector (Typ. $V_{CC} = 24V$)
ASO Protector (R_L Short, Out to GND, Out to V_{CC})
- 7 pin Small Package
- Operating Supply Voltage Range : $V_{CC} = 9\sim 18V$

961001EBF1

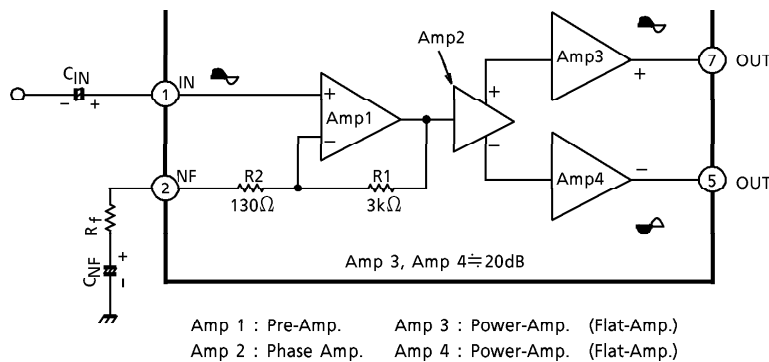
- TOSHIBA is continually working to improve the quality and the reliability of its products. Nevertheless, semiconductor devices in general can malfunction or fail due to their inherent electrical sensitivity and vulnerability to physical stress. It is the responsibility of the buyer, when utilizing TOSHIBA products, to observe standards of safety, and to avoid situations in which a malfunction or failure of a TOSHIBA product could cause loss of human life, bodily injury or damage to property. In developing your designs, please ensure that TOSHIBA products are used within specified operating ranges as set forth in the most recent products specifications. Also, please keep in mind the precautions and conditions set forth in the TOSHIBA Semiconductor Reliability Handbook.
- This product generates heat during normal operation. However, substandard performance or malfunction may cause the product and its peripherals to reach abnormally high temperatures.
The product is often the final stage (the external output stage) of a circuit. Substandard performance or malfunction of the destination device to which the circuit supplies output may cause damage to the circuit or to the product.
- The products described in this document are subject to foreign exchange and foreign trade control laws.
- The information contained herein is presented only as a guide for the applications of our products. No responsibility is assumed by TOSHIBA CORPORATION for any infringements of intellectual property or other rights of the third parties which may result from its use. No license is granted by implication or otherwise under any intellectual property or other rights of TOSHIBA CORPORATION or others.
- The information contained herein is subject to change without notice.

BLOCK DIAGRAM



DIRECTIONS FOR USE AND APPLICATION METHOD

1. VOLTAGE GAIN ADJUSTMENT



(Fig.1)

This IC has the amplifier construction as shown in Fig.1. The Pre-Amp. Amp 1 is provided to the primary stage, and the input voltage is amplified by the Flat Amps, Amp 3 and Amp 4 of each channel through the phase Amp. Amp 2.

Since the input offset is prevented by Pre-Amp when V_{CC} is set to ON, this circuit can remarkably reduce the pop noise.

The total closed loop gain G_V of this IC can be obtained by expression below when the closed loop voltage gain of Amp 1 is G_{V1}.

$$G_{V1} = 20 \log \frac{R1 + (Rf + R2)}{Rf + R2} \quad (\text{dB}) \quad \dots \quad (1)$$

The closed loop voltage gain of POWER Amp, Amp 3 and Amp 4 is fixed at G_{V3} ≐ G_{V4} = 20dB. Therefore, the total closed circuit voltage gain G_V is obtained through BTL connection by the expression below.

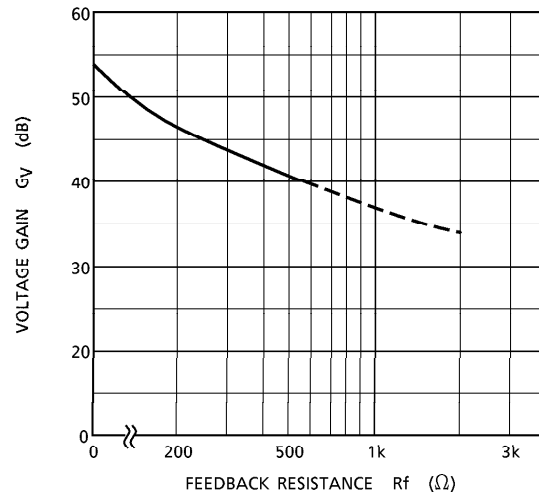
$$G_V = G_{V1} + G_{V3} + 6 \quad (\text{dB}) \quad \dots \quad (2)$$

For example, when $R_f=0\Omega$, G_V is obtained by the expression below.

$$G_V \doteq 28 + 20 + 6 = 54 \text{ (dB)}$$

The voltage gain is reduced when R_f is increased. (Fig.2)

With the voltage gain reduced, since ① the oscillation stability is reduced, and ② the pop noise changes when V_{CC} is set to ON, refer to the items 2 and 4.



(Fig.2)

2. CAPACITIVE VALUE OF INPUT AND NF CAPACITOR

This IC has the built-in circuit which makes the input voltage of AMP. 1 and the voltage of NF terminal equal at $V_{CC} \rightarrow ON$ by means of providing the pre-AMP (AMP 1) at the first stage. Therefore, the off-set voltage produced at the first stage is suppressed, and the pop noise is prevented.

Set the capacitive value of input and NF capacitor according to the gain to be used.

- [Reference] (A) At $G_V = 54\text{dB}$ ($R_f = 0$) $C_{IN} = 4.7\mu\text{F}$, $C_{NF} = 47\mu\text{F}$
- (B) At $G_V = 40\text{dB}$ ($R_f = 560\Omega$) $C_{IN} = 3.3\mu\text{F}$, $C_{NF} = 33\mu\text{F}$

3. CAPACITANCE OF RIPPLE FILTER CAPACITOR

The capacitance of the ripple filter capacitor of ③ pin determines the time constant at $V_{CC} \rightarrow ON$ and $V_{CC} \rightarrow OFF$.

Since the pop noise varies according to the capacitance of the ripple filter capacitor, $C_3 = 220\mu\text{F}$ recommended.

Having the built-in rapid discharging circuit of Ripple and NF voltage at the time when $V_{CC} \rightarrow OFF$, this IC is effective for preventing the pop noise of V_{CC} continuous ON/OFF.

4. PREVENTIVE MEASURE AGAINST OSCILLATION

For preventing the oscillation, it is advisable to use C4, the condenser of polyester film having small characteristic fluctuation of the temperature and the frequency.

The resistance R to be series applied to C4 is effective for phase correction of high frequency, and improves the oscillation allowance.

Since the oscillation allowance is varied according to the causes described below, perform the temperature test to check the oscillation allowance.

- ① Voltage gain to be used (G_V setting)
- ② Capacity value condenser
- ③ Kind of condenser
- ④ Layout of printed board

By increasing R_f , decrease of G_V is possible.

However, care must be taken since the feedback increase is liable to produce oscillation.

5. EXTERNAL PART LIST AND DESCRIPTION

NAME OF PART	RECOMMENDED VALUE	OBJECT	INFLUENCE		REMARKS
			SMALLER THAN RECOMMENDED VALUE	LARGER THAN RECOMMENDED VALUE	
C1	4.7 μ F	DC blocking	Related to popping noise at $V_{CC} \rightarrow ON$		Related to gain. Refer to item 2.
C2	47 μ F	Feedback condenser	Related to popping noise at $V_{CC} \rightarrow ON$		
			Determination of low cut-off frequency. $C2 = \frac{1}{2\pi f_L \cdot R_f}$		
C3	220 μ F	Ripple reduction	Time constant is small at $V_{CC} \rightarrow ON$ or OFF.	Time constant is large at $V_{CC} \rightarrow ON$ or OFF.	Refer to item 3.
C4	0.15 μ F	Oscillation prevention	Made liable to oscillate.	Oscillation allowance improved.	Refer to item 4.
C5	1000 μ F	Ripple filter	For filtering power supply hum and ripple. Large at using AC rectified power supply. Small at using DC power supply.		

MAXIMUM RATINGS (Ta = 25°C)

CHARACTERISTIC	SYMBOL	RATING	UNIT
Peak Supply Voltage (0.2 sec)	V _{CC (surge)}	50	V
DC Supply Voltage	V _{CC (DC)}	25	V
Operating Supply Voltage	V _{CC (opr)}	18	V
Output Current (Peak)	I _{O (peak)}	4.5	A
Power Dissipation	P _D	15	W
Operating Temperature	T _{opr}	- 30~85	°C
Storage Temperature	T _{stg}	- 55~150	°C

ELECTRICAL CHARACTERISTICS

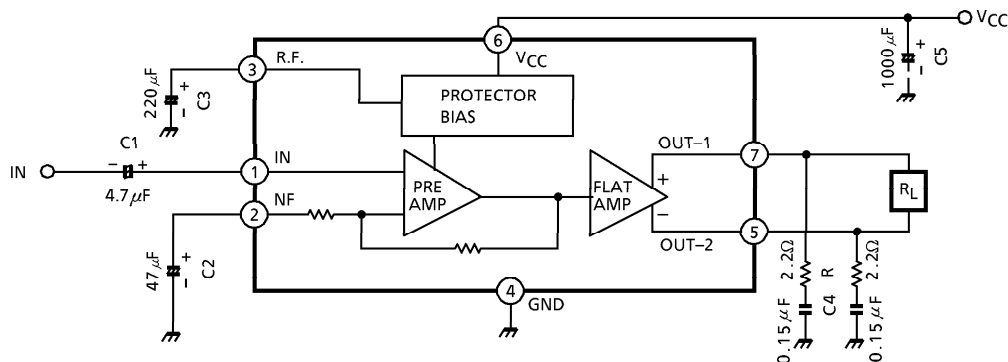
(Unless otherwise specified, V_{CC} = 13.2V, R_L = 4Ω, f = 1kHz, Ta = 25°C)

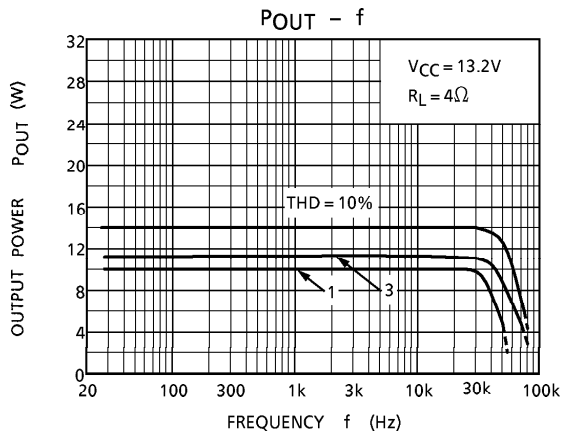
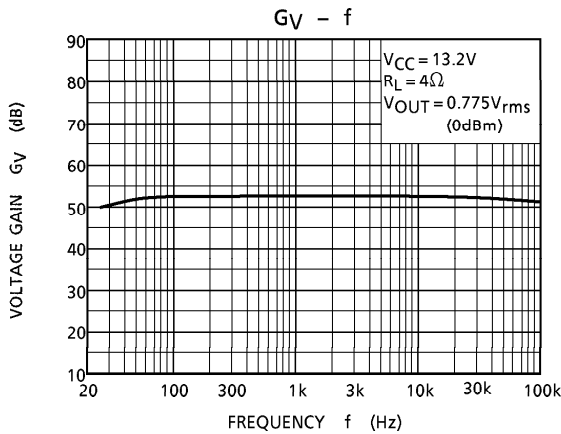
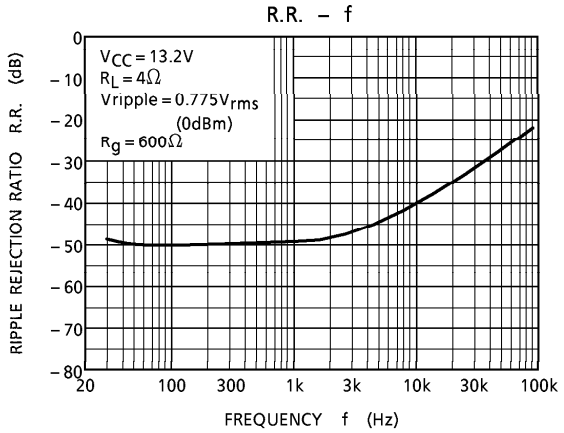
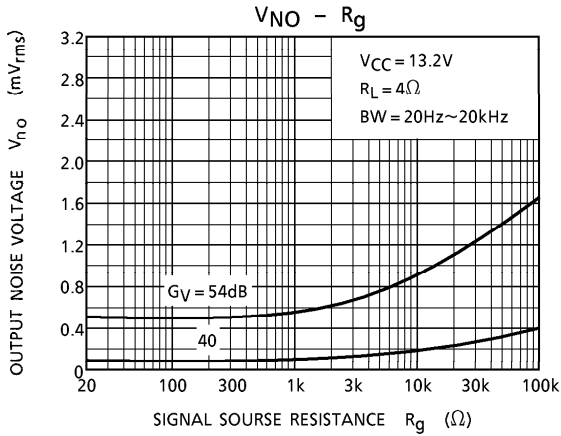
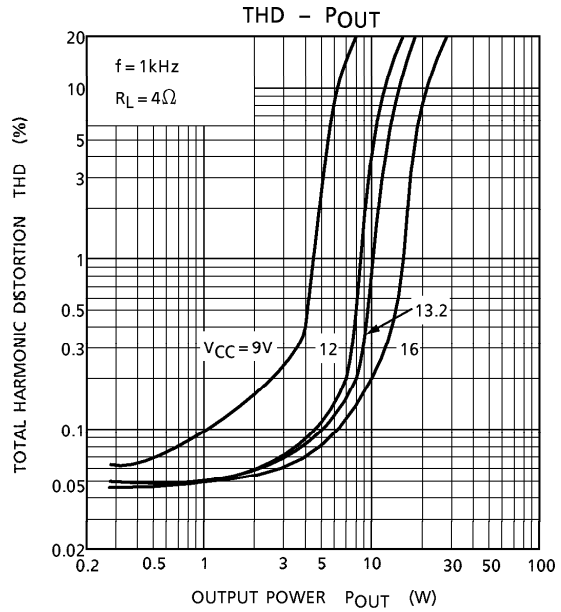
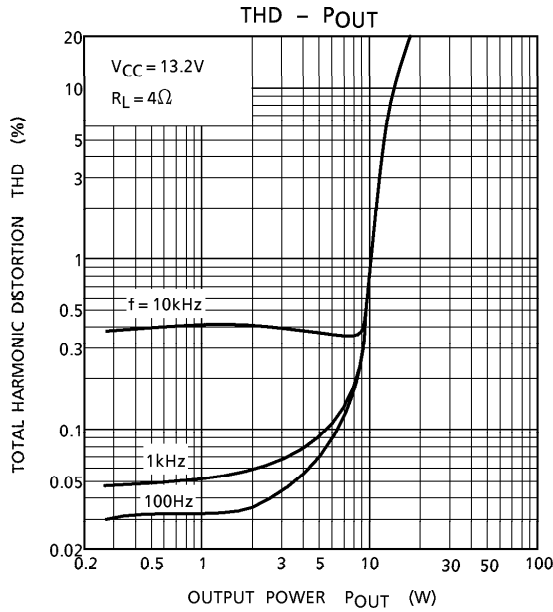
CHARACTERISTIC	SYMBOL	TEST CIR-CUIT	TEST CONDITION	MIN.	TYP.	MAX.	UNIT
Quiescent Current	I _{CCQ}	—	V _{IN} = 0	—	60	95	mA
Output Power	P _{OUT (1)}	—	V _{CC} = 14.4V, THD = 10%	—	17	—	W
	P _{OUT (2)}	—	THD = 10%	10	14	—	
Total Harmonic Distortion	THD	—	P _{OUT} = 1W	—	0.05	0.4	%
Voltage Gain	G _V	—	R _f = 0Ω	52	54	56	dB
Output Noise Voltage	V _{NO}	—	R _g = 10kΩ, BW = 20Hz~20kHz	—	0.9	2.0	mV _{rms}
Ripple Rejection Ratio	R.R.	—	fripple = 100Hz, R _g = 600Ω	40	50	—	dB
Input Resistance	R _{IN}	—	f = 1kHz	—	30	—	kΩ
Output Offset Voltage	V _{offset}	—	V _{IN} = 0	-0.3	0	0.3	V

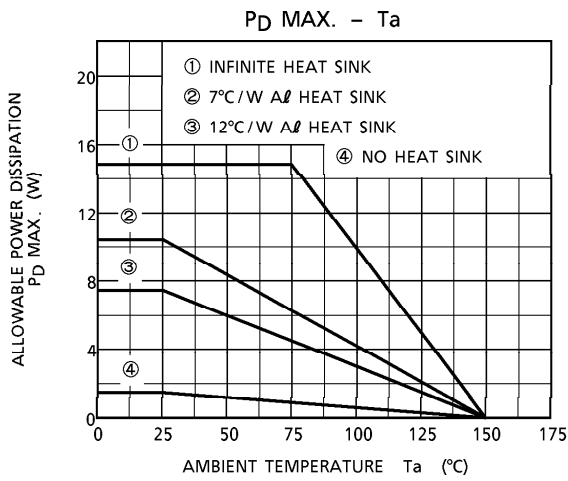
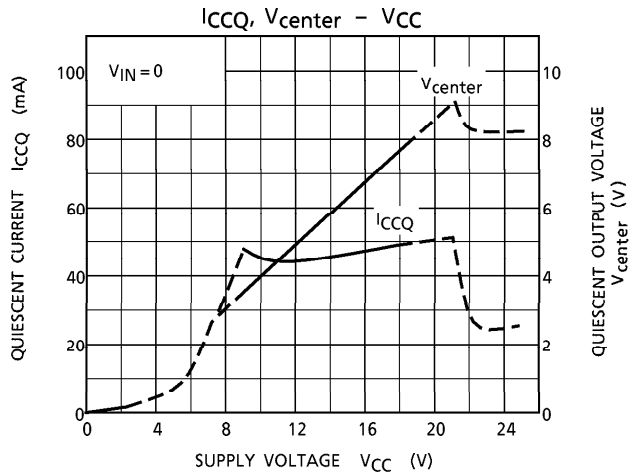
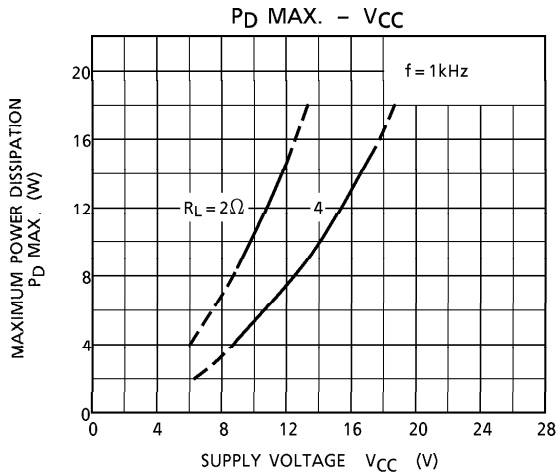
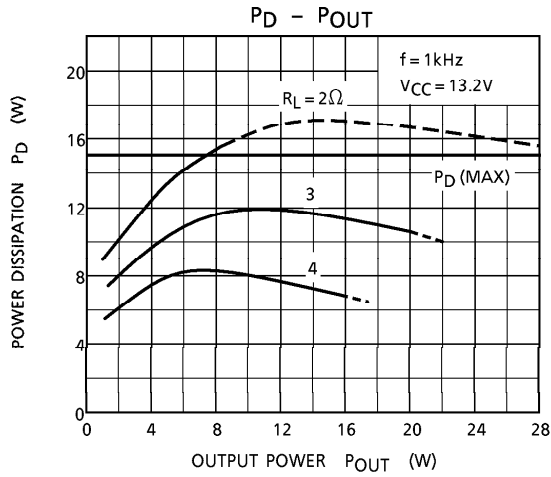
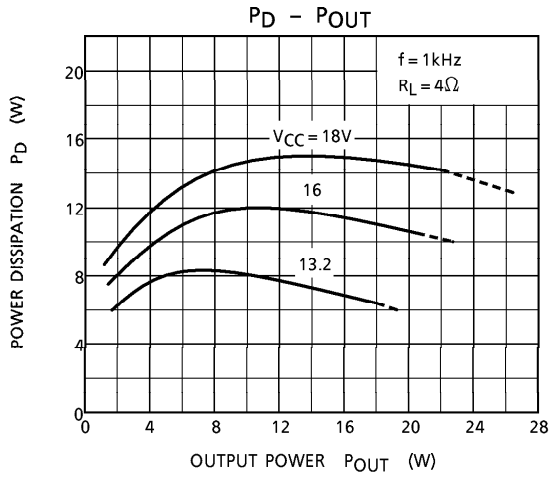
TYPICAL DC VOLTAGE OF EACH TERMINAL (V_{CC} = 13.2V, V_{IN} = 0V, Ta = 25°C)

TERMINAL No.	1	2	3	4	5	6	7
Terminal	IN	NF	R.F.	GND	OUT	V _{CC}	OUT
DC Voltage (V)	4.55	4.55	4.55	0	5.6	13.2	5.6

TEST CIRCUIT / APPLICATION CIRCUIT

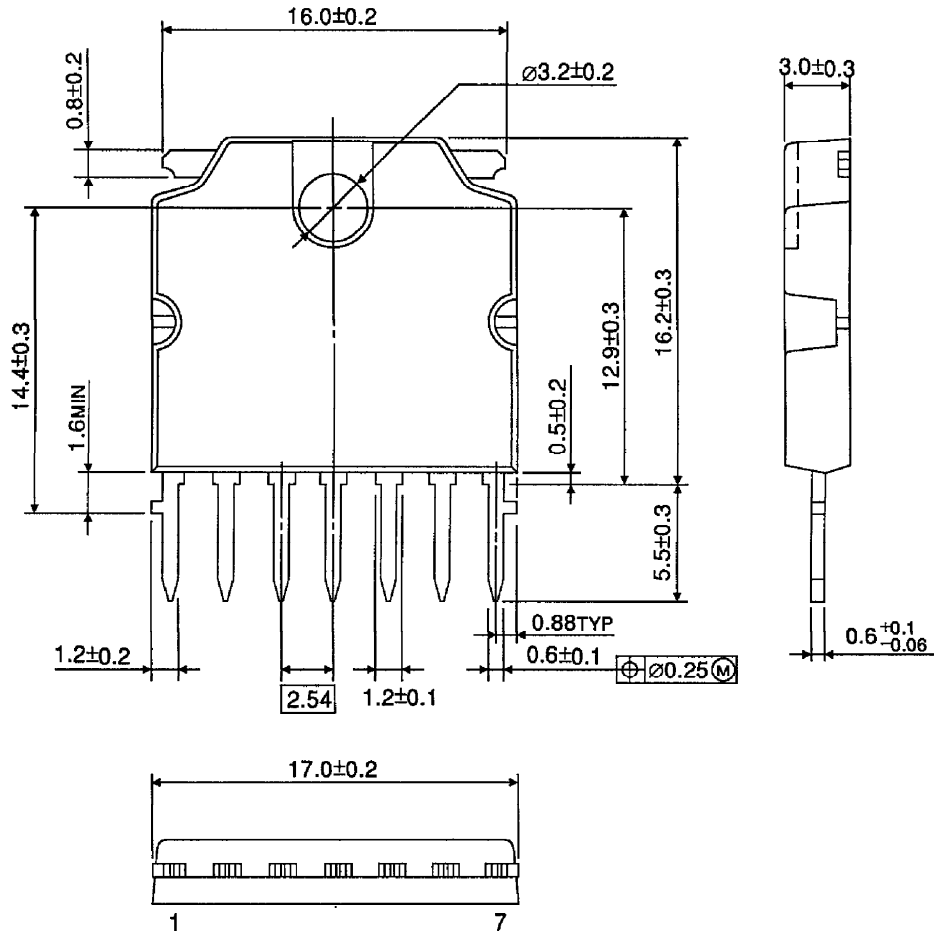






OUTLINE DRAWING
HSIP7-P-2.54B

Unit : mm



Weight : 2.19g (Typ.)